



SPECTUS BIFOLD DOOR QUOTE/ORDER FORM

PLEASE TICK: QUOTE ORDER

Company _____

Contact Name _____

Delivery Address _____

_____ Postcode _____

Telephone _____ Fax _____

Email _____

Date _____

Order No. / Reference _____

Date Required _____

PROFILE Ovolo Bevelled

FRAME WIDTH (mm) _____

FRAME HEIGHT INCLUDING CILL (mm) _____

OPENING In Out

BIFOLD THRESHOLD (see attached sheets)

Option _____ (A-E, 1-6 or Aluminium)

CILL included in overall frame height (cill height is 30mm)

Stub 150mm 180mm No cill

SINGLE COLOUR

White White Foil Cream Foil

Light Oak Light Oak on white

Rosewood Rosewood on White

SPECIAL FOIL OR RAL

Outside _____ Inside _____

HANDLES Hook Lock

Internal Only Internal & External

White Black Silver Chrome

GLASS

Glazed Unglazed

Type _____

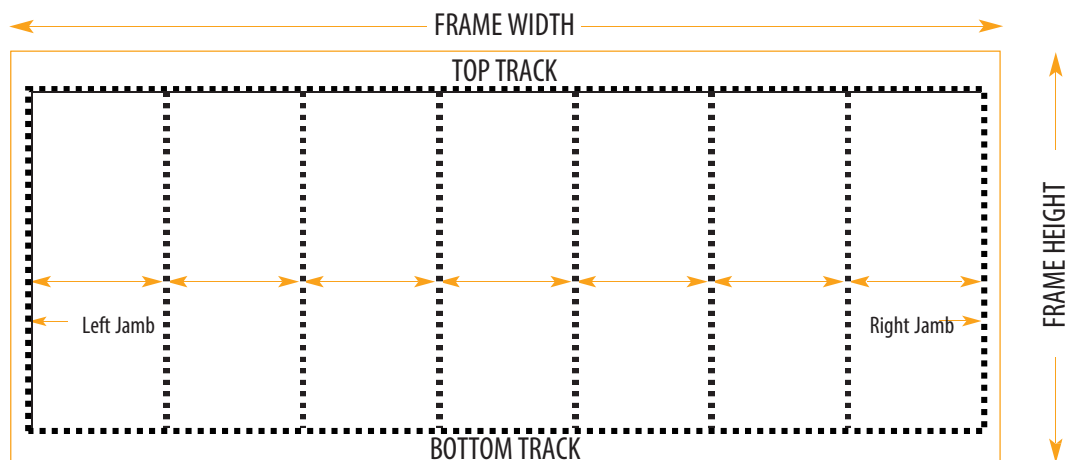
SPACER BAR - Black Warmedge Spacer Bar will be selected on all quotations/orders unless specified otherwise below.

Grey Warmedge White Warmedge

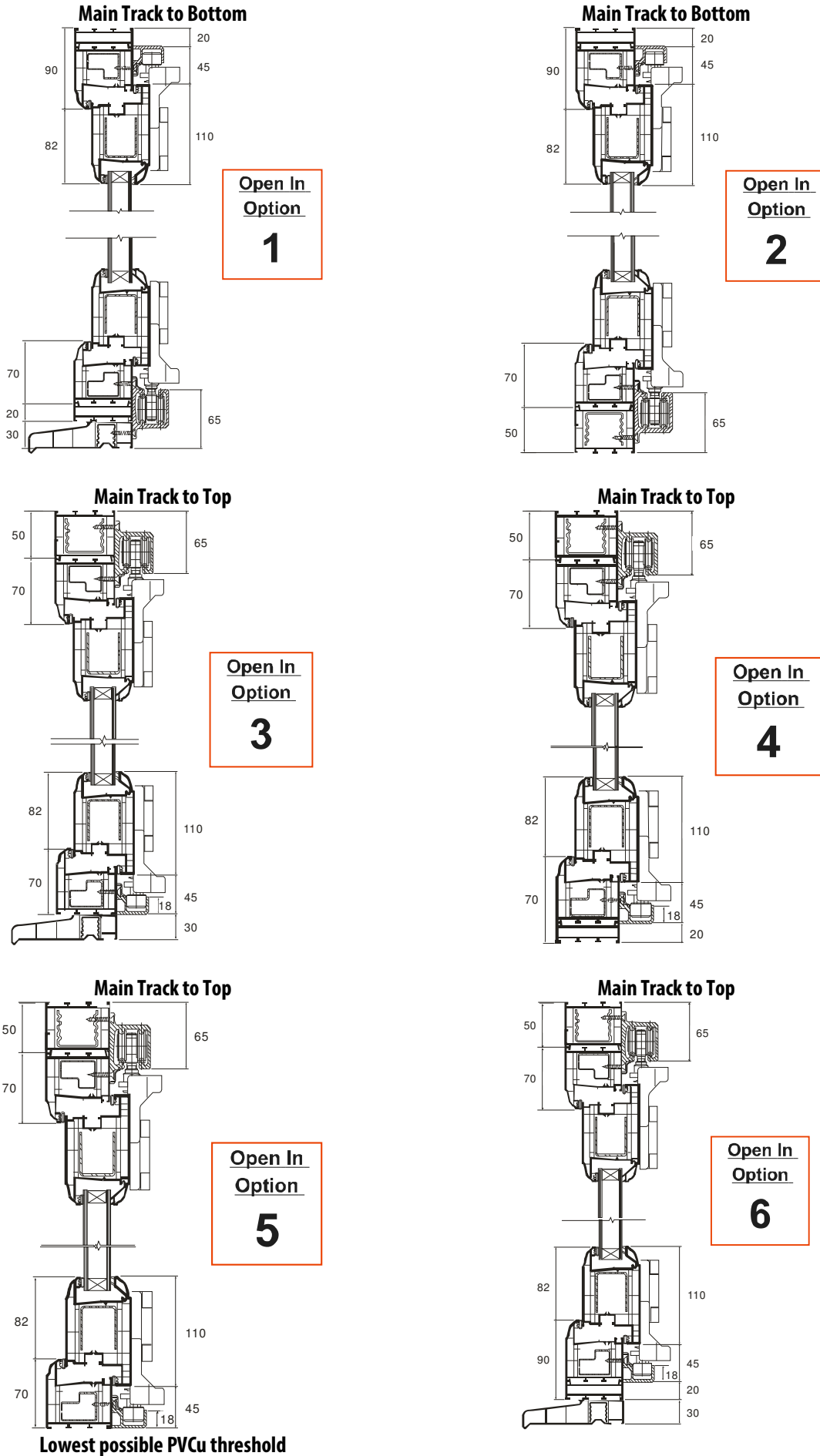
Viewed from **OUTSIDE**

Clearly mark on the grid shown the configuration required. The elevation of the door is as viewed from the **OUTSIDE**. Mark along the arrows the direction that each panel has to travel.

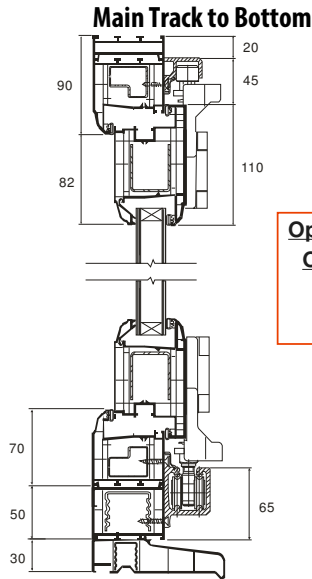
If you have 2 swing panels, indicate on this drawing which panel you would like to open first with 'FIRST'.



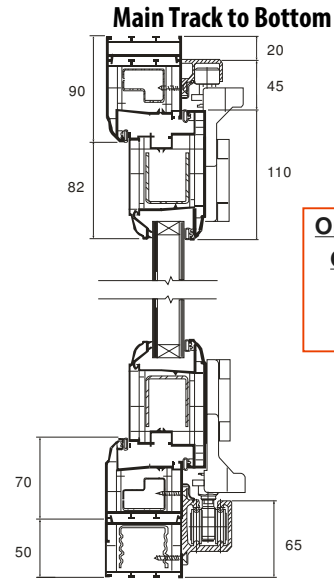
Open In Threshold Options



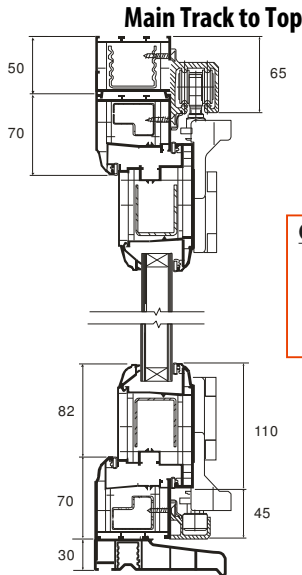
Open Out Threshold Options



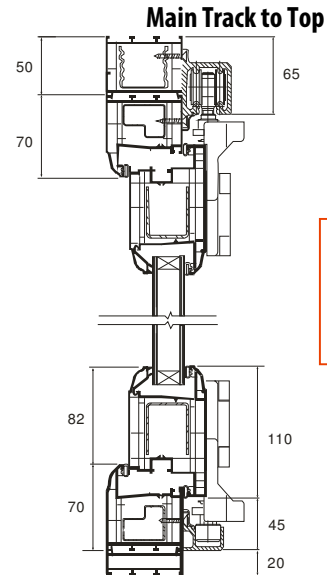
Open Out
Option
A



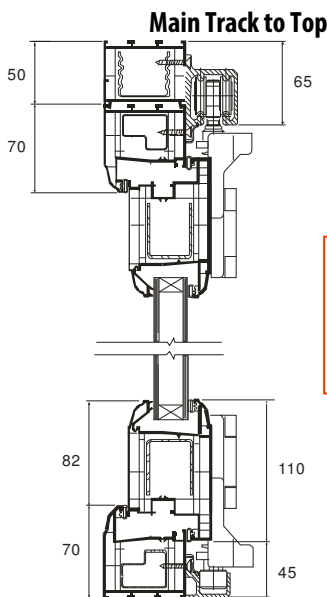
Open Out
Option
B



Open Out
Option
C



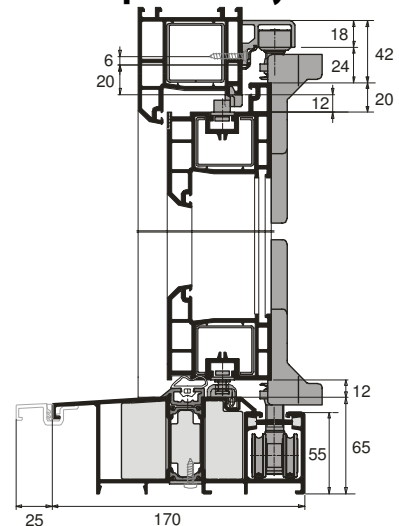
Open Out
Option
D



Open Out
Option
E

Lowest possible PVCu threshold

Low Aluminium Threshold Open In Only



This threshold must be sunk into floor 50mm

Spectus Bifold Door Style Sheet (Viewed Outside/Open Out)

