

PLEASE TICK: QUOTE ORDER

Company _____

Contact Name _____

Delivery Address _____

_____ Postcode _____

Telephone _____ Fax _____

Email _____

Date _____

Order No. / Reference _____

Date Required _____

FRAME WIDTH (mm) _____

FRAME HEIGHT INCLUDING CILL (mm) _____

OPENING In Out

BIFOLD THRESHOLD (see attached sheet)

Option _____ (A-F)

CILL included in overall frame height (cill height is 30mm)

95mm 150mm 180mm No cill

COLOUR (OVOLO FRAME & BEAD ONLY)

White Rosewood Light Oak

Rosewood on White Light Oak on White

Cream Foil White Foil Irish Oak

Cream Foil on White Irish Oak on White

Anthracite Grey Anthracite Grey on White

Beck Brown on White Chartwell Green on White

FRAME DRAINAGE

None Face

HANDLES – Note: HINGES ARE ALWAYS BLACK

White Black Chrome Gold Grey

GLASS

Glazed Unglazed

Type _____

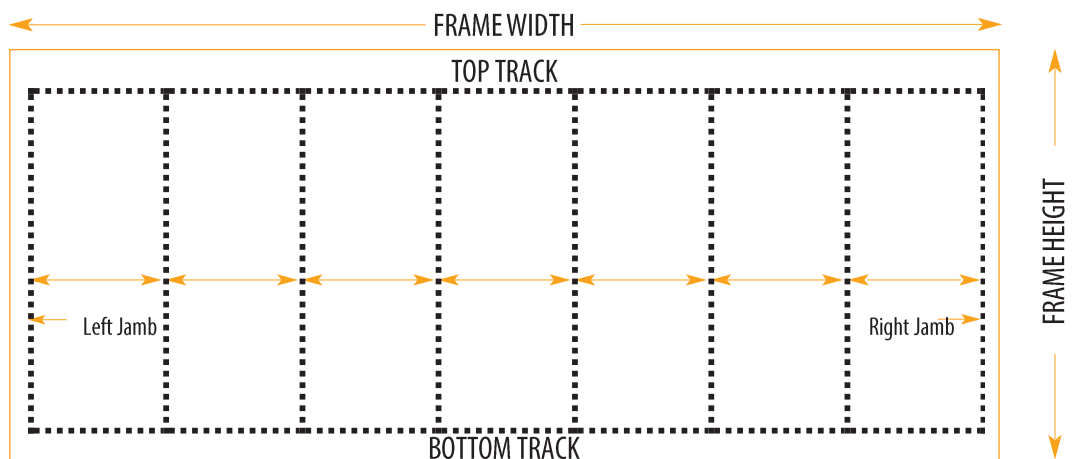
SPACER BAR - Black Warmedge Spacer Bar will be selected on all quotations/orders unless specified otherwise below.

Grey Warmedge White Warmedge

Viewed from **OUTSIDE**

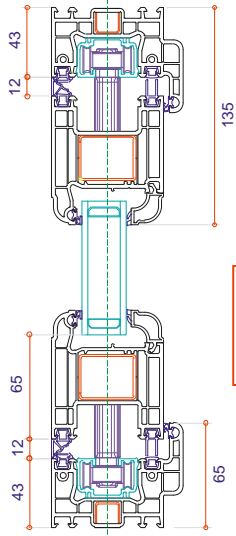
Clearly mark on the grid shown the configuration required. The elevation of the door is as viewed from the **OUTSIDE**. Mark along the arrows the direction that each panel has to travel.

If you have 2 swing panels, indicate on this drawing which panel you would like to open first with 'FIRST'.



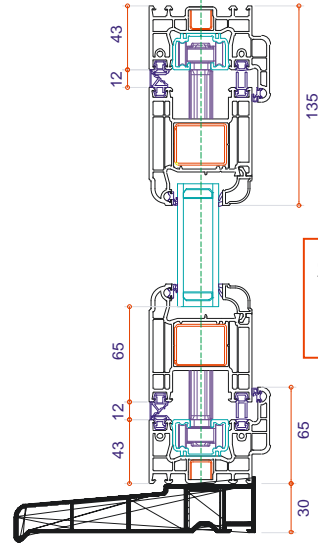
Threshold Options

Standard PVCu Threshold NO Cill



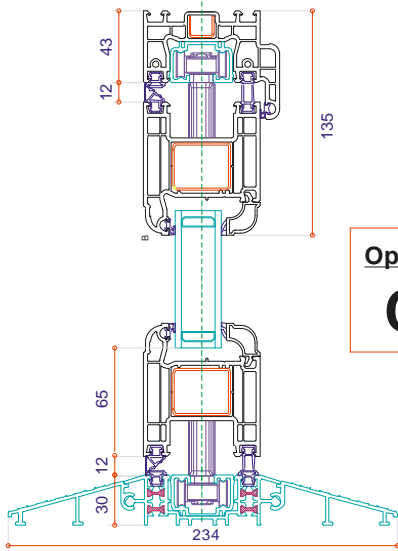
Option
A

Standard PVCu Threshold with Cill



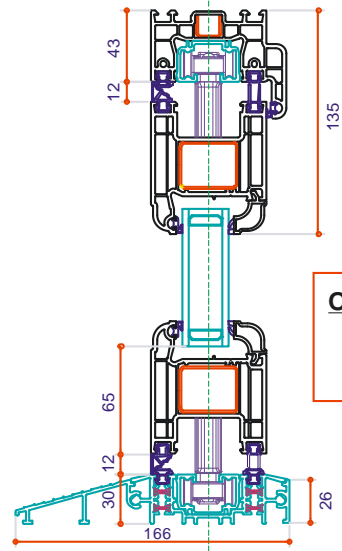
Option
B

Low Threshold With 2 Ramps



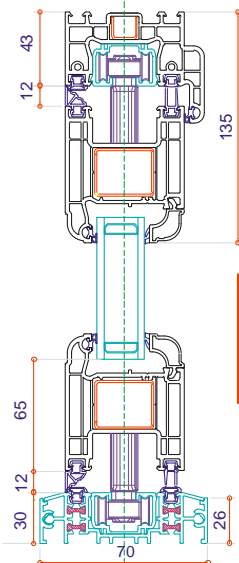
Option
C

Low Threshold With 1 Ramp



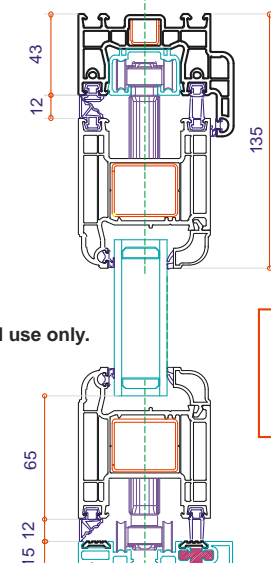
Option
D

Low Threshold With NO Ramps



Option
E

Room Divider Threshold



 NB: For internal use only.

Option
F

Genesis Bifold24 Door Style Sheet (Viewed Outside/Open Out)

